

RELY ON EXCELLENCE

MA250 / MA251

Mechanical Seals | Mechanical seals for pumps | Standard cartridge seals



Features

- Cartridge design
- Balanced
- Independent of direction of rotation
- Stationary, inside mounted type
- Springs do not contact the liquid

Advantages

- Equipped with flushing, quenching, and drainports as standard
- PTFE backup ring as standard

Operating range

MA250:

Pressure: $p = 0 \dots 16 \text{ bar (232 PSI)}$

Temperature:

$t = -20 \text{ °C} \dots 160 \text{ °C} (-4 \text{ °F} \dots 320 \text{ °F})$ (oil),

$0 \text{ °C} \dots 60 \text{ °C} (32 \text{ °F} \dots 140 \text{ °F})$ (water)

Sliding velocity: $v_g = 20 \text{ m/s (66 ft/s)}$

Viscosity: $\dots 0.5 \text{ Pa}\cdot\text{s}$

Solids content: $\dots 0.3 \%$

MA251:

Pressure: $p = 0 \dots 16 \text{ bar (232 PSI)}$

Temperature:

$t = -20 \text{ °C} \dots 160 \text{ °C} (-4 \text{ °F} \dots 320 \text{ °F})$ (oil),

$0 \text{ °C} \dots 60 \text{ °C} (32 \text{ °F} \dots 140 \text{ °F})$ (water)

Sliding velocity: $v_g = 20 \text{ m/s (66 ft/s)}$

Viscosity: $\dots 1 \text{ Pa}\cdot\text{s}$

Solids content: $\dots 7 \%$

Materials

Seal face (MA250): High density carbon graphite

Seal face (MA251): Silicon carbide (Q1)

Seat (MA250/MA251): Silicon carbide (Q1)

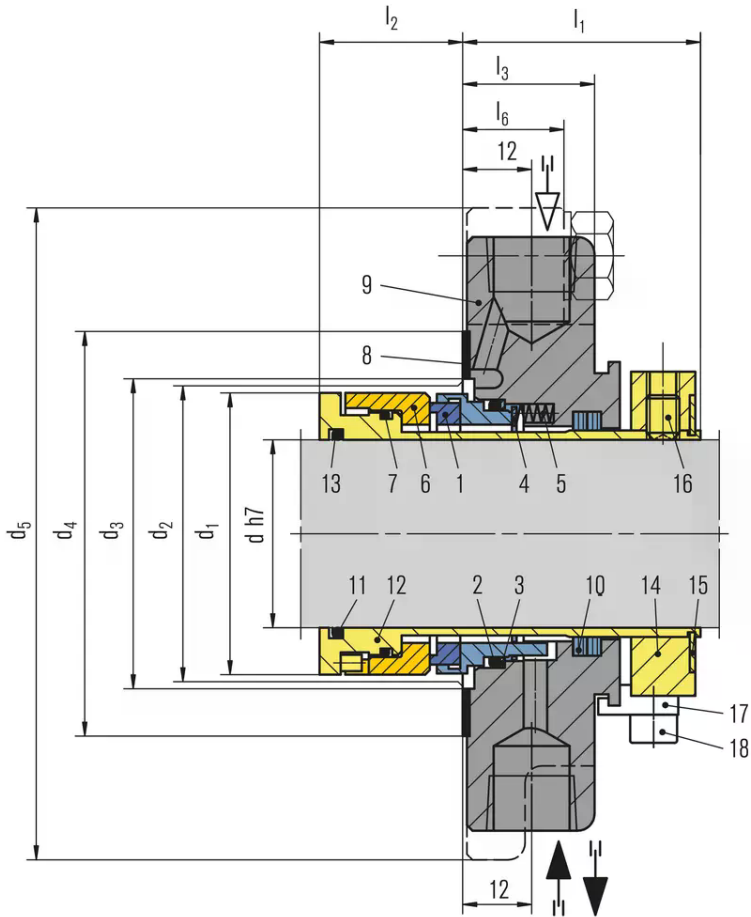
Metal parts: CrNiMo steel (G)

Secondary seals: FKM (V)

Recommended applications

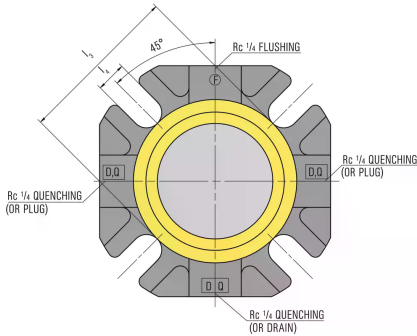
- Acids
- Alkaline solutions
- Salt solutions
- Low viscosity oils
- Monomers
- Hydrocarbons
- Water
- Seawater
- Process industry
- Refining technology
- Petrochemical industry
- Chemical industry
- Pharmaceutical industry
- Power plant technology
- Pulp and paper industry
- Water and waste water technology
- Food and beverage industry
- Metal production and processing

RELY ON EXCELLENCE



Item	Description
1	Seal face
2, 7, 11	O-Ring
3	Spacer
4	Thrust ring
5	Spring
6	Seat
8	Gasket
9	Seal cover
10	Bushing
12	Shaft sleeve
13	Pin
14	Drive collar
15	Retaining ring
16	Set screw
17	Assembly fixture
18	HSH cap screw

Installation, details, options



RELY ON EXCELLENCE

Dimensions

d	d1	d~2 min.~	d~2 max.~	d ₃	d ₄	d ₅	l ₁	l ₂	l ₃	l ₄	l ₅	l ₆
20	34	36	51	38	58	104	40	25	23	60	12	18
25	39	41	51	43	58	104	40	25	23	60	12	18
30	44	46	56	48	63	108	40	27	23	65	12	18
35	49	51	66	53	73	118	40	27	23	75	14	16
40	56	58	66	60	73	118	40	27	23	75	14	16
45	61	63	71	65	78	128	40	27	23	80	14	16
50	68	70	81	72	88	138	40	27	23	90	14	16
55	73	75	81	77	88	138	40	27	23	90	14	16
60	78	80	96	82	103	164	43	31	23	105	18	14
65	84	86	96	88	103	164	43	31	23	105	18	14
70	90	92	102	94	109	178	43	31	23	111	18	14
75	99	102	114	104	121	193	45	31	23	123	18	14
80	104	107	114	109	121	193	45	31	23	123	18	14
85	109	112	124	114	131	208	45	31	23	133	20	13
90	114	117	124	119	131	208	45	31	23	133	20	13
95	119	122	134	124	141	218	45	31	23	143	20	13
100	124	127	134	129	141	218	45	31	23	143	20	13

Dimensions in Millimeter