

RELY ON EXCELLENCE

## eCartex ANSI Dual seals

Mechanical Seals | Mechanical seals for pumps | Standard cartridge seals



### Features

- Dual seal
- Available for standard (eCartex-ASDN) and big bore (eCartex-ABDN) seal chambers
- Cartridge
- Balanced
- Independent of direction of rotation
- Double pressure balanced
- Integrated pumping device

### Advantages

- **The series has sliding surfaces that are equipped with EagleBurgmann DiamondFace technology as standard**
- Up to 80 % less energy consumption and minimized heat generation of seal due to friction-reducing DiamondFace layer
- Up to 100 % extended operating period, prolongation of MTBF and MTBR intervals
- Significantly improved dry-run capability for inadequately lubricated sealing surfaces, thus vastly improved process safety
- Universally applicable, even with high solids content in the medium

### Operating range

Shaft diameter:  
d1 = 25 ... 100 mm (1.000" ... 4.000")  
Other sizes on request  
Temperature:  
t = -40 °C ... 220 °C (-40 °F ... 428 °F)  
(Check O-Ring resistance)  
Sliding face material combination B01  
Pressure: p1 = 25 bar (363 PSI)  
Sliding velocity: vg = 16 m/s (52 ft/s)  
Sliding face material combination Q1Q1 or U2Q1  
Pressure: p1 = 20 bar (290 PSI)  
Sliding velocity: vg = 10 m/s (33 ft/s)  
Barrier fluid circulation system:  
p3max = 25 bar (363 PSI)  
 $\Delta p (p3 - p1)_{ideal} = 2 \dots 3 \text{ bar (29 ... 44 PSI)}$ ,  
7 bar (102 PSI) for barrier media with poor lubricating properties  
Pump startup:  
 $\Delta p (p3 - p1)_{max} = 25 \text{ bar (363 PSI)}$  allowed  
Recommended supply medium: max. ISO VG 5  
Axial movement:  $\pm 1.0 \text{ mm}$ ,  $d1 \geq 75 \text{ mm} \pm 1.5 \text{ mm}$

### Materials

Seal face product side: Silicon carbide  
DiamondFace® (Q15)  
Seat product side: Silicon carbide  
DiamondFace® (Q15)  
Seal face atmospheric side: Carbon graphite  
resin impregnated (B)  
Seat atmospheric side: Silicon carbide (Q1)  
Secondary seals: FKM (V), EPDM (E), FFKM (K),  
Perfluorcarbon rubber/PTFE (U1)  
Springs: Hastelloy® C-4 (M)  
Metal parts: CrNiMo steel (G), CrNiMo cast steel  
(G)

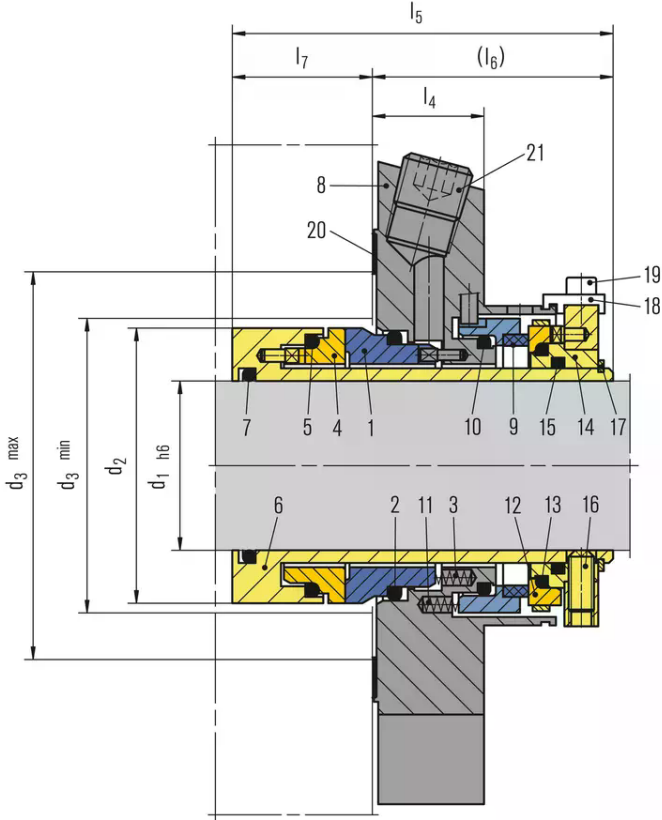
### Standards and approvals

- ANSI

### Recommended applications

- Universally applicable
- Process industry
- Petrochemical industry
- Chemical industry
- Pharmaceutical industry
- Power plant technology
- Pulp and paper industry
- Water and waste water technology
- Mining industry
- Food and beverage industry
- CCUS
- ANSI process pumps

RELY ON EXCELLENCE

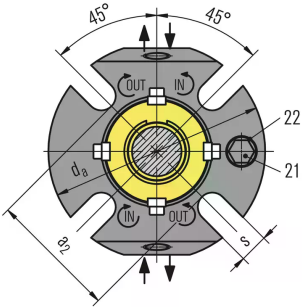


Item	Description
1	Seal face
2, 5, 7, 10, 13, 15	O-Ring
3	Spring
4	Seat
6	Shaft sleeve
8	Cover
9	Seal face
11	Spring
12	Seat
14	Drive collar
16	Set screw
17	Snap ring
18	Assembly fixture
19	Hex socket head screw
20	Gasket
21	Screw plug
22	Gasket

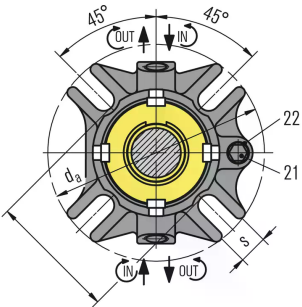
RELY ON EXCELLENCE

## Installation, details, options

**Seal cover**  
Machined version



**Seal cover**  
Cast version



## RELY ON EXCELLENCE

### Dimensions

d <sub>1</sub>	d <sub>2</sub>	d~3 ~min.	d <sub>3</sub> max.	l <sub>4</sub>	l <sub>5</sub>	l <sub>6</sub>	l <sub>7</sub>	a <sub>2</sub>	d <sub>a</sub>	s
1.000	1.693	1.732	2.008	1.000	3.400	2.102	1.303	2.440	4.134	0.520
1.125	1.811	1.875	2.050	1.000	3.400	2.102	1.303	2.402	4.134	0.520
1.250	1.961	2.008	2.244	1.000	3.400	2.102	1.303	2.760	4.330	0.520
1.375	2.087	2.126	2.421	1.000	3.400	2.102	1.303	2.840	4.449	0.520
1.500	2.205	2.244	2.598	1.000	3.400	2.102	1.303	2.950	4.843	0.520
1.625	2.343	2.375	2.700	1.000	3.400	2.102	1.303	3.090	4.842	0.559
1.750	2.461	2.520	2.874	1.000	3.400	2.102	1.303	3.230	5.433	0.559
1.875	2.582	2.638	2.953	1.000	3.400	2.102	1.303	3.350	5.433	0.559
2.000	2.677	2.717	3.071	1.000	3.400	2.102	1.303	3.430	5.827	0.559
2.125	2.835	2.874	3.425	1.000	3.400	2.102	1.303	3.819	5.827	0.709
2.250	2.961	3.000	3.560	1.000	3.400	2.102	1.303	3.940	6.181	0.709
2.375	3.071	3.125	3.583	1.000	3.400	2.102	1.303	4.020	6.181	0.709
2.500	3.213	3.300	3.800	1.000	3.400	2.102	1.303	4.180	6.417	0.709
2.625	3.339	3.374	3.937	1.000	3.400	2.102	1.303	4.303	6.417	0.709
2.750	3.661	3.740	4.252	1.000	3.400	2.102	1.303	4.660	7.008	0.709
2.875	3.937	4.000	4.646	1.000	4.250	2.516	1.736	5.079	7.480	0.709
3.000	3.937	4.000	4.646	1.102	4.250	2.516	1.736	5.079	7.480	0.709
3.125	4.189	4.252	4.882	1.102	4.250	2.516	1.736	5.315	7.677	0.709
3.250	4.189	4.252	4.882	1.102	4.250	2.516	1.736	5.315	7.677	0.709
3.375	4.311	4.375	5.039	1.102	4.250	2.516	1.736	5.472	7.795	0.866
3.500	4.437	4.500	5.157	1.102	4.250	2.516	1.736	5.591	7.795	0.866
3.625	4.563	4.625	5.315	1.102	4.250	2.516	1.736	5.709	8.071	0.866
3.750	4.689	4.752	5.433	1.102	4.250	2.516	1.736	5.827	8.189	0.866
4.000	4.937	5.000	5.669	1.102	4.250	2.516	1.736	6.063	8.583	0.866

### Dimensions in inch

d <sub>1</sub>	d <sub>2</sub>	d~3 ~min.	d <sub>3</sub> max.	l <sub>4</sub>	l <sub>5</sub>	l <sub>6</sub>	l <sub>7</sub>	a <sub>2</sub>	d <sub>a</sub>	s
25	43.0	44.0	51.5	25.4	86.5	53.4	33.1	62	105	13.2
28	46.0	47.0	52.0	25.4	86.5	53.4	33.1	61	105	13.2
30	48.0	49.0	56.0	25.4	86.5	53.4	33.1	67	105	13.2
32	49.8	51.0	57.0	25.4	86.5	53.4	33.1	70	110	13.2
33	49.8	51.0	57.0	25.4	86.5	53.4	33.1	70	110	13.2
35	53.0	54.0	61.5	25.4	86.5	53.4	33.1	72	113	13.2
38	56.0	57.0	66.0	25.4	86.5	53.4	33.1	75	123	13.2
40	58.0	59.0	68.0	25.4	86.5	53.4	33.1	77	123	14.2
42	60.5	61.5	69.5	25.4	86.5	53.4	33.1	80	133	14.2
43	60.5	61.5	70.5	25.4	86.5	53.4	33.1	80	133	14.2
45	62.5	64.0	73.0	25.4	86.5	53.4	33.1	82	138	14.2
48	65.6	67.0	75.0	25.4	86.5	53.4	33.1	85	138	14.2
50	68.0	69.0	78.0	25.4	86.5	53.4	33.1	87	148	14.2
53	72.0	73.0	87.0	25.4	86.5	53.4	33.1	97	148	18.0
55	73.0	74.0	83.0	25.4	86.5	53.4	33.1	92	148	18.0
60	78.0	79.0	91.0	25.4	86.5	53.4	33.1	102	157	18.0
65	84.8	85.7	98.5	25.4	86.5	53.4	33.1	109	163	18.0
70	93.0	95.0	108.0	25.4	86.5	53.4	33.1	118	178	18.0
75	100.0	101.6	118.0	28.0	108.0	63.9	44.1	129	190	18.0
80	106.4	108.0	124.0	28.0	108.0	63.9	44.1	135	195	18.0

## RELY ON EXCELLENCE

d <sub>1</sub>	d <sub>2</sub>	d-3 ~ min.	d <sub>3</sub> max.	l <sub>4</sub>	l <sub>5</sub>	l <sub>6</sub>	l <sub>7</sub>	a <sub>2</sub>	d <sub>a</sub>	s
85	109.5	111.1	128.0	28.0	108.0	63.9	44.1	139	198	22.0
90	115.9	117.5	135.0	28.0	108.0	63.9	44.1	145	205	22.0
95	119.1	120.7	138.0	28.0	108.0	63.9	44.1	148	208	22.0
100	125.4	127.0	144.0	28.0	108.0	63.9	44.1	154	218	22.0

Dimensions in millimeter