

RELY ON EXCELLENCE

BT-C7

Mechanical Seals | Mechanical seals for pumps | Pusher seals



Features

- Single seal
- For plain shafts
- Unbalanced
- Super-sinus spring rotating
- Independent of direction of rotation

Notes

Alternative seat rings can be supplied with short tail or long tail with slot for pin (to prevent seat rotation).

Advantages

- Universal application opportunities
- Robust design
- Insensitive to low solid content
- Torque transmission by set screws
- Variants with shrink fitted face available

Operating range

Shaft diameter:

d1 = 16 ... 100 mm (0.63" ... 3.94")

Pressure: p1* = 12 bar (16 bar) (174 PSI)

Temperature:

t* = -20 °C ... +140 °C (-4 °F ... +284 °F)

Sliding velocity: vg = 20 m/s (66 ft/s)

* Dependent on medium, size and material

Materials

Seal face

CrNiMo steel (G), Tungsten carbide (U), Silicon carbide (Q1)

Seat:

Carbon graphite antimony impregnated (A), Carbon graphite resin impregnated (B), Tungsten carbide (U), Silicon carbide (Q1)

Elastomers:

NBR (P), EPDM (E), FKM (V), FFKM (K)

Metal parts:

CrNiMo steel 1.4401 (G)

Standards and approvals

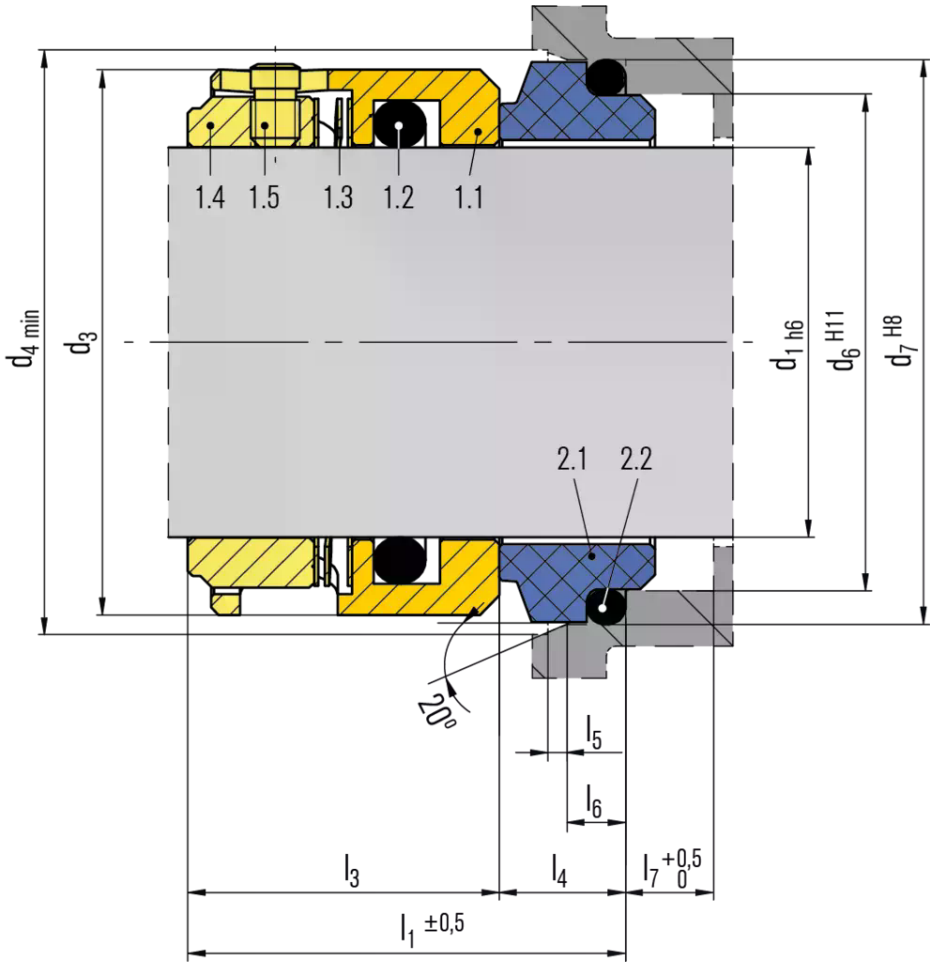
Various material approvals e.g. WRAS, UBA, ACS, NSF, FDA available (depending on type and material combinations). Please inquire!

- EN 12756

Recommended applications

- Water and wastewater technology
- Chemical industry
- Process industry
- Building services industry
- Low solid content media
- Centrifugal pumps
- Multistage pumps
- Cooling water pumps

RELY ON EXCELLENCE

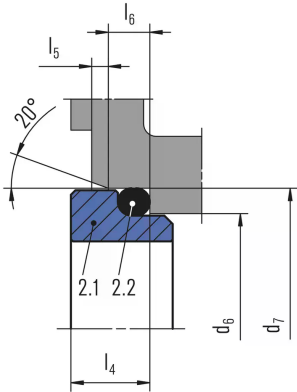


Item	Description
1.1	Seal face
2.1	Stationary seat
1.2, 2.2	O-Ring
1.3	Spring
1.4	Driver
1.5	Set screw

BT-C7.KU © EagleBurgmann

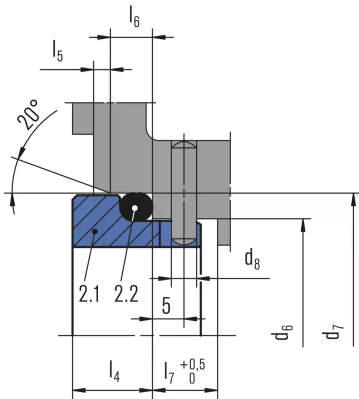
RELY ON EXCELLENCE

Seat alternatives



PF L

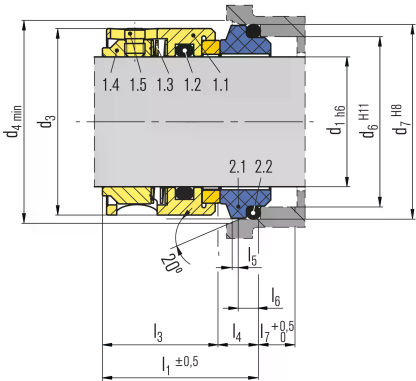
Item Description
 2.1 Stationary seat
 2.2 O-Ring



PF L1

Item Description
 2.1 Stationary seat
 2.2 O-Ring

Product variants



BT-C74

Items and designations are the same as for BT-C7, but with a shrink-fitted seal face into the seal face carrier.
 Seal face: Tungsten carbide (U), Silicon carbide (Q1)

Item Description
 1.1 Seal face housing
 2.1 Stationary seat
 1.2 2.2 O-ring
 1.3 Spring
 1.4 Driver
 1.5 Set screw

RELY ON EXCELLENCE

Dimensions

d ₁	d ₃	d ₄	d ₆	d ₇	d ₈	h _{1KU}	l ₃	l ₄	l ₅	l ₆	l ₇
12	22	26	19	23	3	32.5	25.5	7	1.5	4	8.5
14	24	28	21	25	3	35.0	28.0	7	1.5	4	8.5
16	26	32	23	27	3	35.0	28.0	7	1.5	4	8.5
18	32	36	27	33	3	37.5	27.5	10	2.0	5	9.0
20	34	37	29	35	3	37.5	27.5	10	2.0	5	9.0
22	36	41	31	37	3	37.5	27.5	10	2.0	5	9.0
24	38	41	33	39	3	40.0	30.0	10	2.0	5	9.0
25	39	43	34	40	3	40.0	30.0	10	2.0	5	9.0
28	42	50	37	43	3	42.5	32.5	10	2.0	5	9.0
30	44	50	39	45	3	42.5	32.5	10	2.0	5	9.0
32	46	50	42	48	3	42.5	32.5	10	2.0	5	9.0
33	47	57	42	48	3	42.5	32.5	10	2.0	5	9.0
35	49	57	44	50	4	42.5	32.5	10	2.0	5	9.0
38	54	64	49	56	4	45.0	32.0	13	2.0	6	9.0
40	56	64	51	58	4	45.0	32.0	13	2.0	6	9.0
43	59	64	54	61	4	45.0	32.0	13	2.0	6	9.0
45	62	69	56	63	4	45.0	32.0	13	2.0	6	9.0
48	64	69	59	66	4	45.0	32.0	13	2.0	6	9.0
50	66	76	62	70	4	47.5	33.5	14	2.5	6	9.0
53	69	78	65	73	4	47.5	33.5	14	2.5	6	9.0
55	71	80	67	75	4	47.5	33.5	14	2.5	6	9.0
58	78	83	70	78	4	52.5	38.5	14	2.5	6	9.0
60	80	85	72	80	4	52.5	38.5	14	2.5	6	9.0
63	83	88	75	83	4	52.5	38.5	14	2.5	6	9.0
65	85	90	77	85	4	52.5	38.5	14	2.5	6	9.0
68	88	93	81	90	4	52.5	36.5	16	2.5	7	9.0
70	90	97	83	92	4	60.0	44.0	16	2.5	7	9.0
75	99	103	88	97	4	60.0	44.0	16	2.5	7	9.0
80	104	110	95	105	4	60.0	42.0	18	3.0	7	9.0
85	109	116	100	110	4	60.0	42.0	18	3.0	7	9.0
90	114	121	105	115	4	65.0	47.0	18	3.0	7	9.0
95	119	126	110	120	4	65.0	47.0	18	3.0	7	9.0
100	124	131	115	125	4	65.0	47.0	18	3.0	7	9.0

l~1KU~ complies with EN 12756 (short length, unbalanced) **BT-C7** - Dimensions in millimeter