

RELY ON EXCELLENCE

Dry running emission containment seal Y11

Mechanical Seals | Mechanical seals for pumps | Metal Bellow seals



Features

- Stationary bellows seal
- Uniform seal face loading
- Independent of direction of rotation
- Special carbon grade for dry running capability
- Seal with low face pressure hence less seal face heat generation
- Compact design
- Mating ring with wave spring design
- Vibration dampener for bellows
- Outboard emission containment seal used along with inboard pusher or bellows seal

Advantages

- Narrow cross-section allows the seal fitment in narrow stuffing boxes
- Excellent dry running performance
- Longer seal life as less seal face wear
- Easy to install
- Safety seal to contain fugitive emissions

Operating range

Shaft diameter:

$d = 32 \dots 115 \text{ mm (1.25" } \dots 4.52\text{")}$

Pressure:

$p = \dots 20 \text{ bar (... 290 PSI)}$

wet dynamic containment

$p = \dots 31 \text{ bar (... 500 PSI)}$

wet and dry dynamic containment

$p = \dots 1 \text{ bar (... 14.5 PSI)}$ dry dynamic

Temperature: $t = \dots +204 \text{ }^\circ\text{C (... +400 }^\circ\text{F)}$

Sliding velocity: $v_g = 25 \text{ m/s (82 ft/s)}$

(Consult EB for applications outside above limits).

Materials

Seal ring: Special grade carbon material

Mating ring: Silicon carbide

Secondary seals: FKM, FFKM

Bellows: AM 350

Metal parts: SS 316, other materials on request.

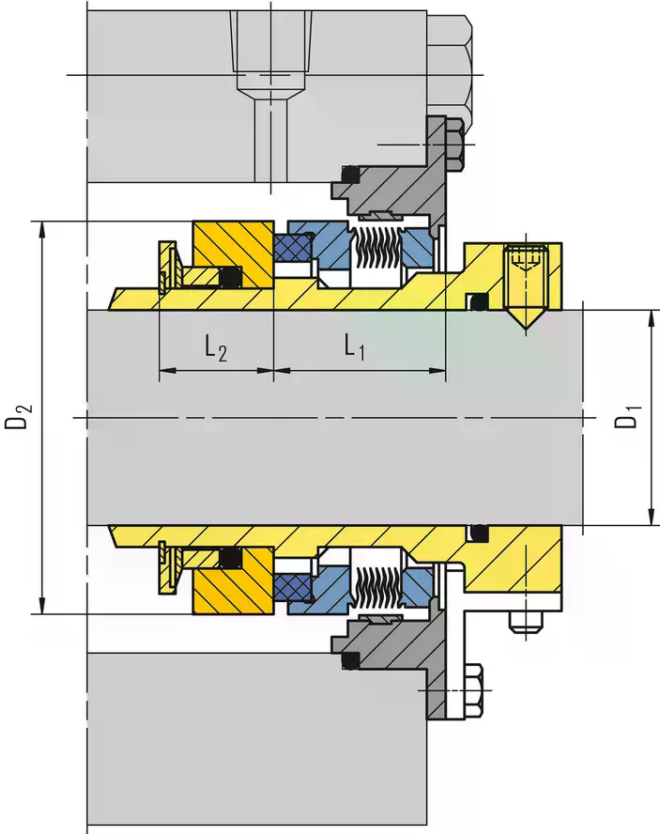
Recommended applications

- Process industry
- Oil and gas industry
- Refining technology
- Petrochemical industry
- Chemical industry
- Pharmaceutical industry
- Power plant technology
- Water and waste water technology
- Building services industry
- Food and beverage industry
- Sugar industry
- Horizontal and vertical pumps, agitators, mixers

Recommended piping plans

API Plans 75, 76

RELY ON EXCELLENCE



RELY ON EXCELLENCE

Dimensions

Dash size	D1	D2	L1	L2
D020	79.37	47.62	23.06	16.76
D022	82.55	50.80	23.40	16.89
D024	85.72	53.97	23.77	16.71
D026	88.90	57.15	23.79	16.89
D028	92.07	60.32	24.23	17.52
D030	95.25	63.50	24.66	16.89
D032	98.42	66.67	25.04	17.44
D034	101.60	69.85	24.96	17.32
D036	104.77	73.02	25.04	17.44
D038	107.95	76.20	25.08	17.57
D040	114.30	82.55	26.69	19.05
D042	119.00	85.72	27.55	17.57
D044	122.20	88.90	27.53	17.70
D046	125.40	93.66	31.14	18.03
D048	128.57	96.83	30.99	18.18
D050	134.92	99.99	31.01	18.16
D052	138.00	103.17	30.99	18.59
D054	141.20	106.34	31.01	18.59
D056	144.40	109.52	30.99	18.59
D058	147.62	112.70	30.99	18.46
D060	150.70	115.87	30.99	18.46
D062	153.97	124.12	31.11	18.46
D064	157.14	122.22	31.20	18.46
D068	163.50	129.08	31.20	18.59
D072	169.85	136.52	31.20	24.20

Imperial size