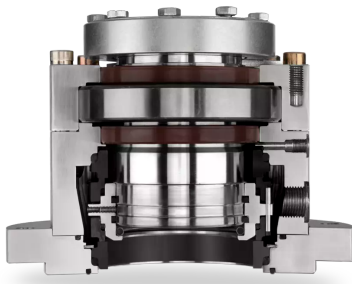


RELY ON EXCELLENCE

M481C

Mechanical Seals | Agitator seals | Liquid lubricated seals



Features

- Liquid-lubricated double seal for top-entry drives
- Cartridge unit
- Self-closing on the product side
- For stepped and unstepped shafts
- Unbalanced
- Independent of direction of rotation
- Multiple springs rotating

Advantages

- Ready-to-fit and factory-tested units
- The M481C and its variants will remain closed even during pressure variations or pressure reversal. Operation is possible with buffer fluid ($p_{1max} = 6 \text{ bar (87 PSI)}$) or pressurized with barrier fluid as double seal
- Available with or without bearing
- Metal-free on product side as option
- Suitable for standardizations
- Seal can be applied at higher pressure and rotating speed than specified by DIN

Operating range

Shaft diameter:
 $d_1 = 40 \dots 125 \text{ mm (1.57" \dots 4.92")}$

Pressure:
 $p_1 = \text{vacuum} \dots 10 \text{ bar (145 PSI)}$,

$p_3 = \text{max. } 12 \text{ bar (174 PSI)}$

Temperature:
 $t_1 = -40 \text{ °C} \dots +200 \text{ °C}$
 $(-40 \text{ °F} \dots +392 \text{ °F})$

Sliding velocity:
 $vg = 0 \dots 3 \text{ m/s (0} \dots 16 \text{ ft/s)}$

For applications beyond this range, please inquire.

! It should be noted that the extremal values of each operating parameter cannot be applied at the same time because of their interaction.

Materials

Seal faces: Carbon graphite or Silicon carbide, FDA conform

Seats: Silicon carbide, FDA conform
 Secondary seals and metallic parts acc. to application and customers' requirement.

Standards and approvals

- FDA
- ATEX
- DIN 28138 (mechanical seals for agitator shafts)
- DIN 28136 T2 (for steel vessels)
- DIN 28141 (flange connection for steel vessels)
- DIN 28154 (shaft end for steel vessels)
- Compliant to TA Luft (German Clean Air Act)

Recommended applications

- Refining technology
- Petrochemical industry
- Chemical industry
- Pharmaceutical industry
- Food and beverage industry
- Agitators
- Reactors

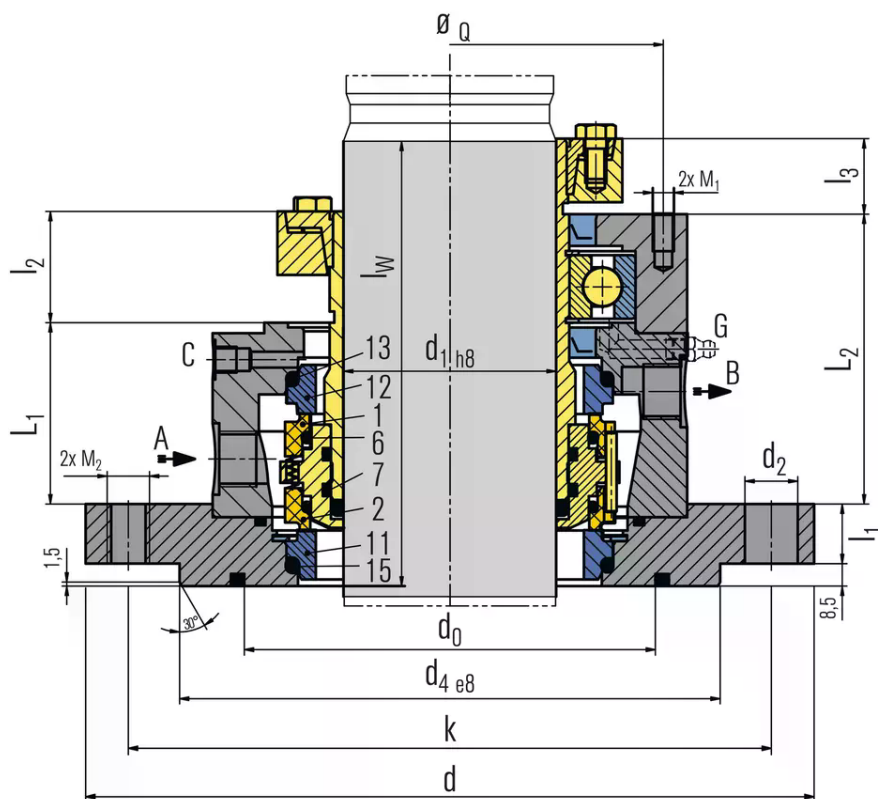
Recommended piping plans

Closed circuit EagleBurgmann TS system, open circuit EagleBurgmann SPA, EagleBurgmann SPN

Product links:

[EagleBurgmann TS1000](#)
[EagleBurgmann TSA2](#)
[EagleBurgmann SPA](#)
[EagleBurgmann SPN manual](#)
[EagleBurgmann SPN automatic](#)

RELY ON EXCELLENCE



Item	Description
1	Seal face, atmosphere side
2	Seal face, product side
6, 7, 13, 15	O-Ring
11	Seat, product side
12	Seat, atmosphere side

Product variants

M481CL

Variant with integrated floating bearing

M451C

Variant for customer-specific connection dimensions. Further customer-specific adaptations are also possible.

Dimensions

d ₁ 1)	d 1)	n x d ₂	d ₄	d ₀	k	L ₁	L ₂	L _w 2)	l ₁	l ₂	l ₃	a	M ₁	M ₂	A,B	C	G
40	175	4x18	110	90	145	60.5	93.5	143	18.5	32.5	22.5	105	M8	M16	G3/8	G1/8	M6
50	240	8x18	176	159	210	63	101.5	148	17.5	26	22	143	M8	M16	G3/8	G1/8	M8X1
60	240	8x18	176	159	210	63	101.5	158	17.5	27	25	143	M8	M16	G3/8	G1/8	M8X1
80	275	8x22	204	155	240	68.5	109.5	168	22.5	42	28.5	161	M8	M20	G1/2	G1/8	M8X1
100	305	8x22	234	190	270	73.5	119	178	20	32	30.5	195	M10	M20	G1/2	G1/8	M8X1
125	330	8x22	260	215	295	80.5	134	203	22.5	39	38	231	M10	M20	G1/2	G1/8	M8X1