

RELY ON EXCELLENCE

SeccoMix R

Mechanical Seals | Agitator seals | Dry running seals



Features

- For top, side and bottom entry drives
- Dry running
- Nitrogen pressurized dual seal
- Rotating seat at product side
- Balanced
- Independent of direction of rotation

Notes

Options:

- Axial bellows expansion joint (shaft movement)
- Scraper (shaft movement)

Advantages

- Ready-to-fit and factory-tested units
- With or without bearing available
- Smooth surface, free of dead spaces
- No contamination of the product by barrier fluid
- Friction-locked connection to the shaft
- ATEX certification available on request

Operating range

Shaft diameter:

d1 = 35 ... 220 (300) mm (1.38" ... 8.66"(11.81"))

Axial offset shaft/housing: d1 = 35 ... 60 mm
(1.38" ... 2.36"): max. ±1.5 mm (0.059")

d1 >60 mm (2.36"): max. ±2.0 mm (0.079")

Radial offset shaft/housing:

max. ±0.3 mm (0.012")

Pressure: p1 = Vacuum ... 6 bar (87 PSI)

Temperature:

t1 = -20 °C ... +200 °C (-4 °F ... +392 °F)

Sliding velocity: vg = 0 ... 2 m/s (0 ... 6 ft/s)

For applications beyond this range, please inquire.

! It should be noted that the extremal values of each operating parameter cannot be applied at the same time because of their interaction.

Materials

Seal face: Carbon graphite, FDA conform

Seat: Silicon carbide, FDA conform

Secondary seals and metal parts according to application and customer's specifications.

Standards and approvals

- FDA
- ATEX
- Compliant to TA Luft (German Clean Air Act)

Recommended applications

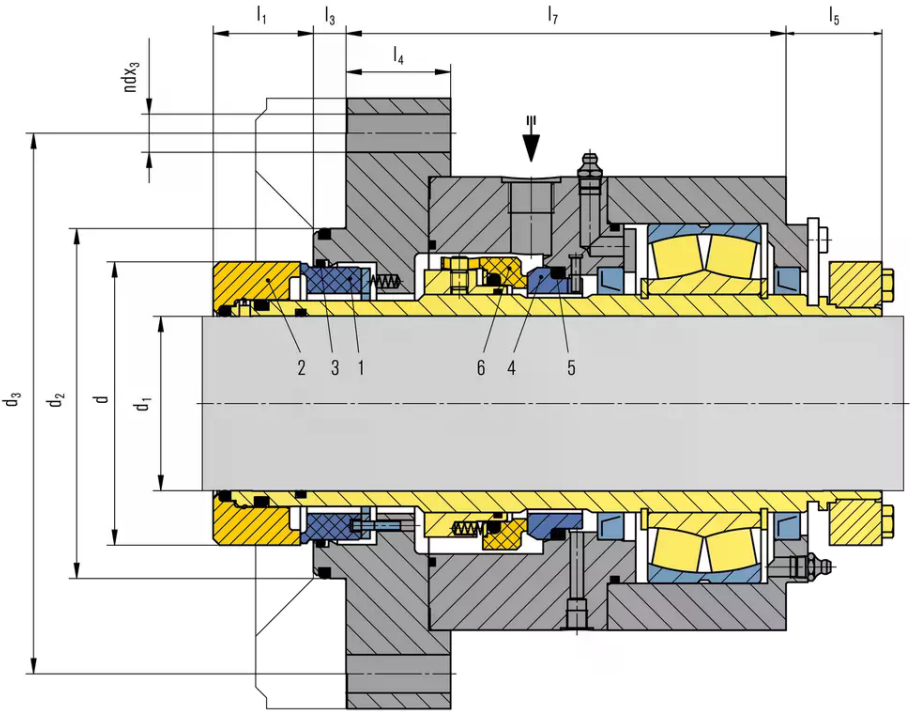
- Refining technology
- Petrochemical industry
- Chemical industry
- Pharmaceutical industry
- Food and beverage industry
- Agitators
- Mixers
- Kneaders
- Dryers
- Reactors

Recommended piping plans

Gas supply

EagleBurgmann GSS4015/A400-D0
for double seals SeccoMix R

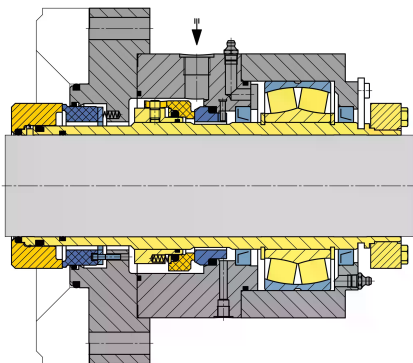
RELY ON EXCELLENCE



Item	Description
1	Seal face, product side
2	Seat, product side
3	O-Ring, dynamic
4	Seat, atmosphere side
5	O-Ring
6	Seal face, atmosphere side

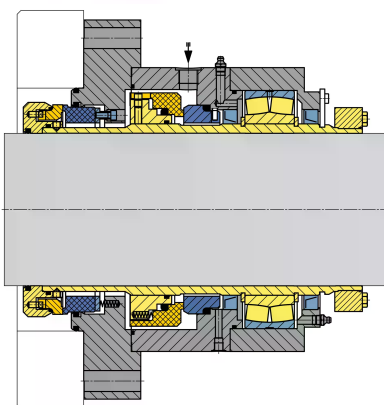
RELY ON EXCELLENCE

Product variants



SeccoMix R3

Dual seal with solid seat and integrated floating bearing $d_1 \leq 140$ mm (5,51").
As an option with fixed bearing or without bearing available.



SeccoMix R5

Dual seal with „hook-sleeve“ and integrated floating bearing $d_1 > 140$ mm (5,51").
As an option with fixed bearing or without bearing available.

Dimensions

d_1	d	l_1	d_2	l_3	d_3	$n \times d_3$	l_4	l_5	l_7
35	68	43	105	13	148	8 x 13.5	35.5	20.5	141.0
45	82.7	43	119.5	13	166	8 x 13.5	43.0	26.0	149.5
50	90.0	43	119.5	13	190	8 x 17.5	40.5	28.5	165.0
60	100.0	43	134.5	14	200	8 x 17.5	41.0	28.0	173.0
80	130.0	46	160.5	15	248	8 x 17.5	48.0	34.0	212.0
100	150.0	49	181.5	12	264	8 x 22.0	54.0	33.5	219.0
120	172.0	49	209.5	12	293	8 x 22.0	52.0	40.0	232.0
140	195.0	49	224.5	12	338	12 x 22.0	52.0	39.5	251.5

Dimensions in millimeter