

RELY ON EXCELLENCE

SeccoLip481

Mechanical Seals | Agitator seals | Dry running seals



Features

- For top entry drive; side drive also available on request
- For stainless steel vessels
- Dry-running
- Modular and flexible design
- Compensation of shaft deflection by patented technology
- Independent of direction of rotation
- Cartridge unit
- Variant available for applications with product contact (SeccoLipR)

Advantages

- Available as a ready-to-install cartridge for quick and easy installation
- Tested technology ensures safe use
- Dry-running lip seal - depending on the application no supply system is necessary
- No additional rolling bearing required, but optionally available
- Sealing element made of bright chemically highly resistant PTFE compound
- ATEX type examination certificate available
- CIP/SIP-compatible
- Flush possible
- Available with 2, 3, or 4 sealing lips
- No temperature monitoring required
- Further customer-specific adaptations possible

Operating range

Shaft diameter (on stock): $d_1 = 40 \dots 125 \text{ mm}$ (1.57" ... 4.92")

Special shaft diameters between 25 mm and 200 mm possible (0.98" ... 7.87")

Pressure: $p_1 = \text{vacuum} \dots 6 \text{ bar}$ (87 PSI)

Temperature: $-30 \text{ °C} \dots +200 \text{ °C}$ ($-22 \text{ °F} \dots +392 \text{ °F}$)

Sliding velocity: $v_g = 0 \dots 2 \text{ m/s}$ (0 ... 6 ft/s)

Axial movement: $\pm 3.0 \text{ mm}$

Radial movement: 1.0 mm (up to 3 mm on request)

For applications beyond this range, please inquire.

! It should be noted that the extremal values of each operating parameter cannot be applied at the same time because of their interaction.

Materials

Lip sealing element: bright chemically highly resistant PTFE-compound (FDA-compliant)

Secondary seals: FKM (V)

Metallic parts: 316L / 1.4404

Other materials are possible, depending on customer requirements.

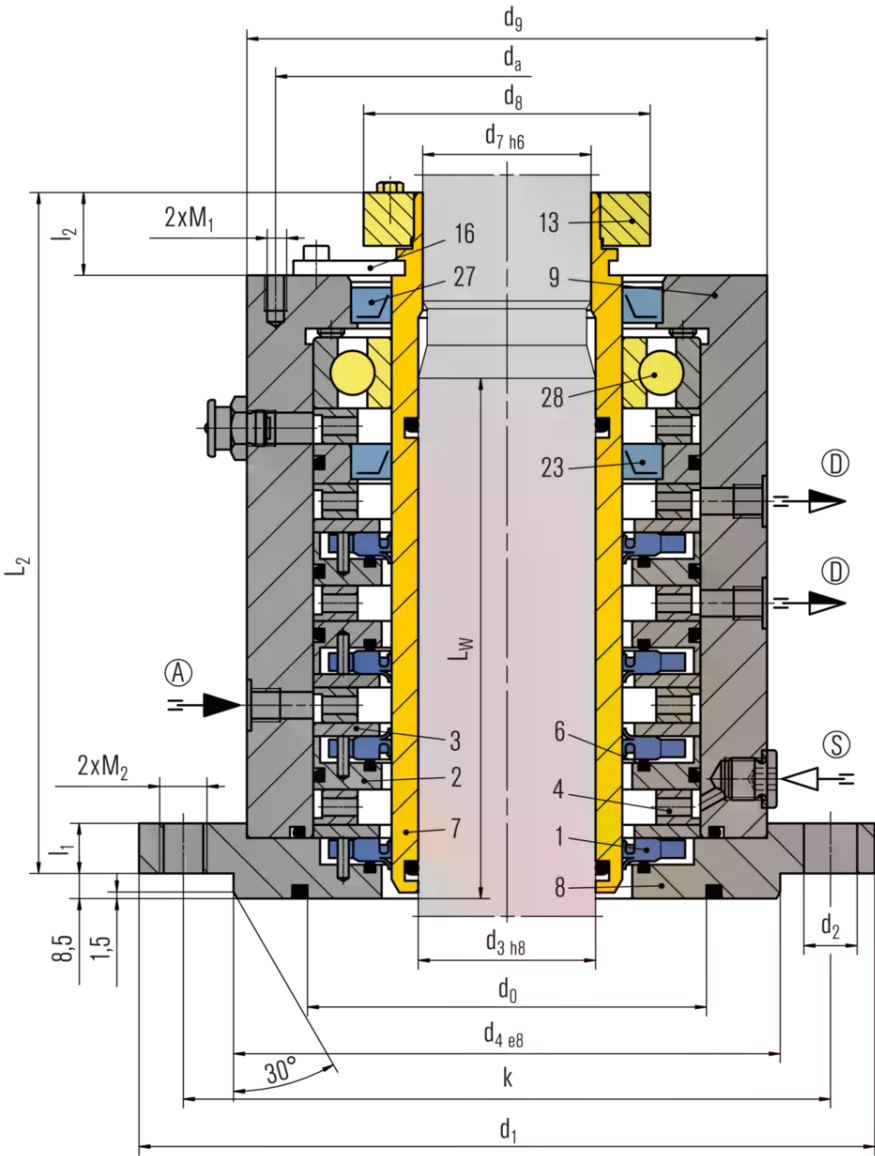
Standards and approvals

- FDA
- ATEX
- TA-Luft

Recommended applications

- Chemical industry
- Petrochemical industry
- Pharmaceutical industry
- Food industry
- Bulk solids industry
- Agitators
- Mixers
- Reactors
- Dryers
- Screw conveyors

RELY ON EXCELLENCE



Seccolip 481L-4

Item	Description
1	Lip seal
2	Inset
3	Disc
4	Insert ring
6	O-Ring
7	Shaft sleeve
8	Flange
9	Housing
13	Shrink disc
16	Setting device
23	Spacer ring
27	Lip seal
28	Sliding bearing

Seccolip 481L-4 © EagleBurgmann

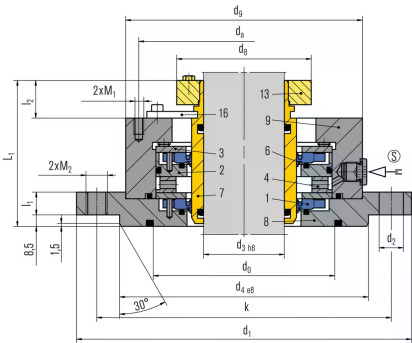
RELY ON EXCELLENCE

Installation, details, options

SeccoLip 481-2

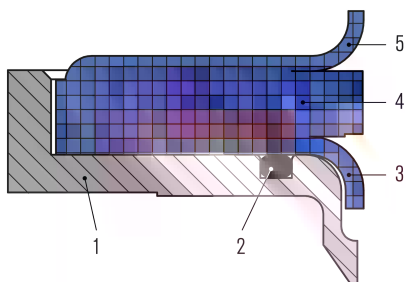
Item Description

- 1 Lip seal
- 2 Inset
- 3 Disc
- 4 Insert ring
- 6 O-Ring
- 7 Shaft sleeve
- 8 Flange
- 9 Housing
- 13 Shrink disc
- 16 Setting device



RELY ON EXCELLENCE

Product variants



SeccoLipR®

SeccoLipR® \n The SeccoLipR® component seal, a patented product, is the latest addition to the SeccoLip product range. It is recommended to upgrading to the SeccoLip®481 for use in demanding applications involving abrasive or crystalline media. The upstream metal shield (1) prevents the lip seals behind it from coming into contact with the product. The sliding part (4) adjusts the sealing element in the event of radial shaft deflections and the second PTFE sealing lip (5) provides reliable sealing in vacuum applications.

The SeccoLipR® is also available as a stand-alone solution and can be combined with other EagleBurgmann agitator seals.

The advantages at a glance:

- Protection against product ingress into the seal
- Enables vacuum operation
- Increases reliability and plant availability

Item Description

- 1 Metal shield
- 2 O-ring
- 3 PTFE lip seal (product side)
- 4 Sliding part
- 5 PTFE lip seal (atmospheric side)

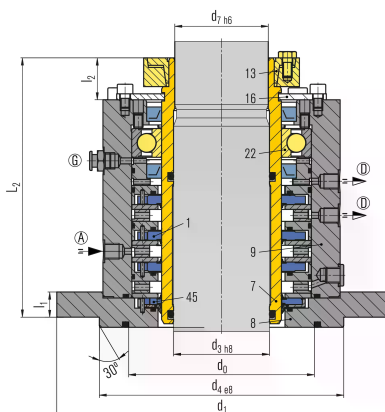
SeccoLipR481L-4

SeccoLipR481L-4 \n This is the low-wear variant designed for demanding applications involving product contact, such as with abrasive and crystalline media. The SeccoLipR®481L features an additional SeccoLipR® component installed on the product side. This protects the PTFE sliding parts and the sealing lips behind it from product ingress.

The SeccoLipR®481L is suitable for top and side drive and is only available with bearings. Flushing can be implemented using a special solution.

Item Description

- 1 Lip seal
- 7 Wave sleeve
- 8 Flange
- 9 Housing
- 13 Shrink disc
- 16 Assembly gauge
- 22 Roller bearing
- 45 SeccoLipR



RELY ON EXCELLENCE

Dimensions

d ₃	d ₁	nxd ₂	d ₄	d ₀	k	d ₈	d ₉	L ₁	l ₁	l ₂	d _a	M ₁	M ₂	S
40	175	4x18	110	90	145	80	175	91.5	19.5	26	145	M8	M16	G1/4
50	240	8x18	176	135	210	90	168	91.5	19.5	28	153	M8	M16	G1/4
60	240	8x18	176	135	210	100	178	91.5	18	27.5	155	M8	M16	G1/4
80	275	8x22	204	155	240	130	198	100.5	21	33.5	175	M8	M20	G1/4
100	305	8x22	234	190	270	150	218	102.5	23	33.5	195	M8	M20	G1/4
125	330	8x22	260	215	295	179	243	107.5	23	38.5	220	M8	M20	G1/4

SeccoLip 481-2 Dimensions in millimeter

d ₃	d ₇	d ₁	nxd ₂	d ₄	d ₀	k	d ₈	d ₉	L ₂	L _w	l ₁	l ₂	d _a	M ₁	M ₂	A, D, S
40	38	175	4x18	110	90	145	80	175	198.5	143	19.5	27.5	145	M8	M16	G1/4
50	48	240	8x18	176	135	210	90	168	205.5	148	19.5	29	155	M8	M16	G1/4
60	58	240	8x18	176	135	210	100	178	205.5	158	18	29	155	M8	M16	G1/4
80	78	275	8x22	204	155	240	130	198	216.5	168	21	35	184	M8	M20	G1/4
100	98	305	8x22	234	190	270	150	218	232.5	178	23	37	195	M8	M20	G1/4
125	120	330	8x22	260	215	295	179	243	245.5	203	23	47	222	M8	M20	G1/4

SeccoLip 481L-4 Dimensions in millimeter