

RELY ON EXCELLENCE

## Espey WKA3

Carbon Floating Ring Seals | Shaft seals



### Features

- Cartridge seal
- Standardized dimensions
- Short axial installation length (8.4 mm)
- Dry running
- Seal ring bears radial shaft movements
- Compensates axial shaft movements
- No sealing components mounted on the shaft and hence no additional shaft vibrations
- Seal rings running contact-free - sliding faces and machine consume no additional power
- One-piece seal ring (initial delivery)

### Advantages

- Easy installation
- High reliability
- Maintainability
- Long-term operating time
- Alternative to radial shaft seal ring

### Operating range

Shaft diameter:

d = 28 ... 80 mm (1.10" ... 3.15")

Operating pressure: p = 1.075 bar (16 PSI) abs.

Operating temperature:

t = max. +200 °C (392 °F)

Sliding velocity:

vg = max. 40 m/s (131 ft/s)

Radial play: ±2.0 ... 4.0 mm (±0.08" ... 0.16")

Axial movement: theoretically unlimited

### Materials

Seal ring: PTFE compound

Housing: 1.4301

Tension spring: 1.4571

### Standards and approvals

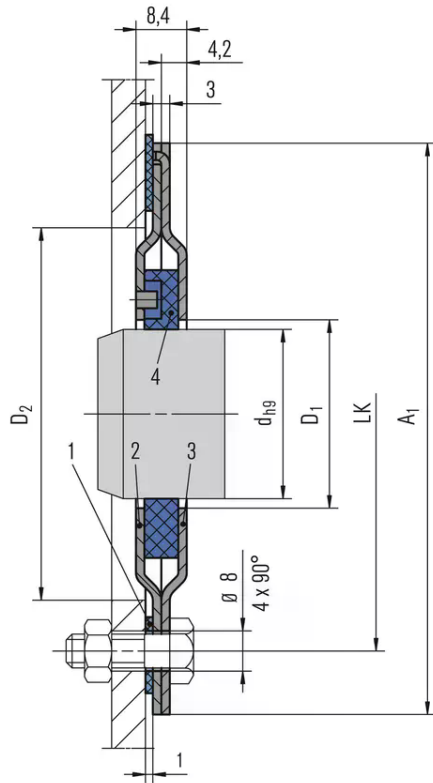
- FDA

### Recommended applications

- Chemical industry
- Food processing industry
- Machinery and plant building
- Pulp and paper industry
- Metal production and processing
- CO2 transportation and storage
- Small and medium-sized fans / blowers
- Air regulating devices
- Bearing seals
- Clean gases\*

\* Not applicable for toxic, solids containing gases and exhaust gas

RELY ON EXCELLENCE



| Item | Description  |
|------|--------------|
| 1    | Flat seal    |
| 2    | Housing half |
| 3    | Housing half |
| 4    | Seal ring    |

## Dimensions

| $d_{h9}$ | $D_1$ | $D_2$ | $A_1$ | LK  | RB | RC |
|----------|-------|-------|-------|-----|----|----|
| 28       | 36    | 70    | 100   | 90  | 35 | 30 |
| 30       | 36    | 70    | 100   | 90  | 35 | 30 |
| 32       | 36    | 70    | 100   | 90  | 35 | 30 |
| 38       | 46    | 80    | 110   | 100 | 40 | 35 |
| 40       | 46    | 80    | 110   | 100 | 40 | 35 |
| 42       | 46    | 80    | 110   | 100 | 40 | 35 |
| 50       | 56    | 94    | 130   | 120 | 45 | 40 |
| 60       | 66    | 104   | 140   | 130 | 50 | 45 |
| 70       | 76    | 114   | 150   | 140 | 55 | 50 |
| 80       | 86    | 124   | 160   | 150 | 60 | 55 |

Dimensions in Millimeter RB, RC = flanging radii