

RELY ON EXCELLENCE

MagBlower model 285

Blowers



Features

- Hermetically sealed
- No contamination of process
- No process gas to atmosphere
- Always below 85 dBA noise levels
- Low heat generation and high torque transfer magnetic coupling
- Pulsation free gas flow
- Engineered designs available to meet special requirements

Functional description

The Magnetic coupling allows power transfer from the electric motor to the impeller without mechanical contact; eliminating the need for a shaft seal. The bearings suitable for the application support the impeller shaft in the blower housing. The gas enters the blower and the energy put into the gas from the blower impeller, produces flow and a pressure increase as required for the application before exiting the blower outlet.

Notes

Options:

- Horizontal or vertical design
- Centrifugal or regenerative impeller

Advantages

- The MagBlower delivers abundant, reliable, and consistent gas flow, in every situation with no leakage.
- Simple to set-up, easy to operate
- High reliability and availability
- Designed for continuous operation
- Low maintenance costs
- Energy efficient

Operating range

Pressure: Vacuum ... 120 bar (1,740 PSI)

Temperature:

-40 °C ... +200 °C (-40 °F ... +392 °F)

Head: ... 9 Kpa (1.3 PSI) on air

Flow: 42 m³/h (24.7 CFM) on air

Some of these models are available as a standard with 240 bar (3,480 PSI) and 360 bar (5,220 PSI) Pressure ratings.

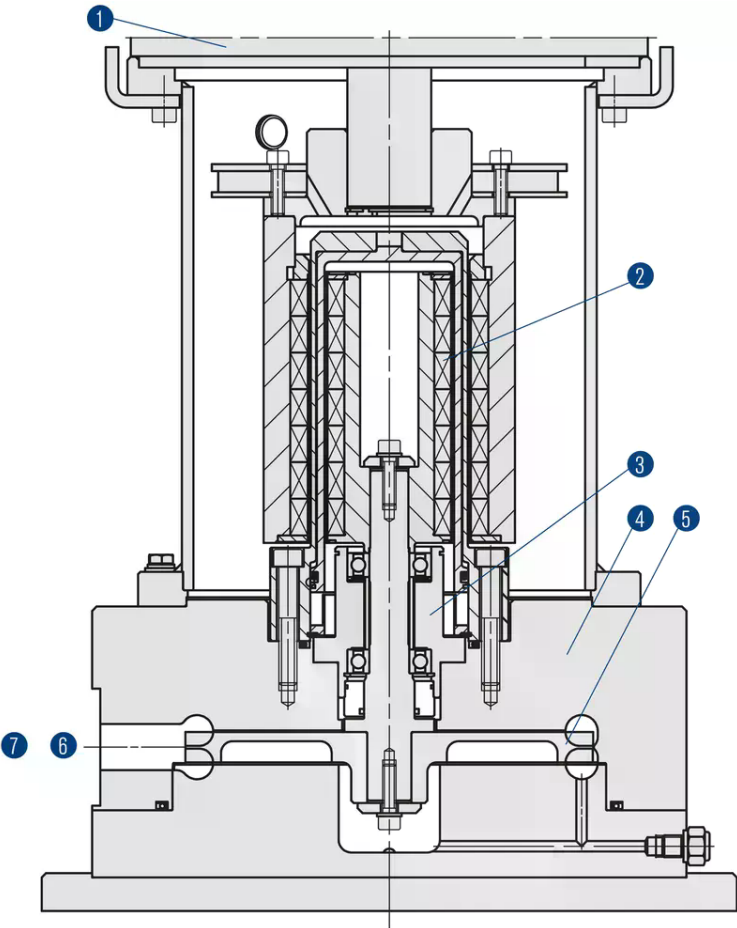
Models outside of these operating ranges are available on request.

Recommended applications

- Oil and gas industry
- Refining technology
- Chemical industry
- Petrochemical industry
- Pharmaceutical industry
- Nuclear applications
- Research
- Manufacturing
- Vapor recovery

RELY ON EXCELLENCE

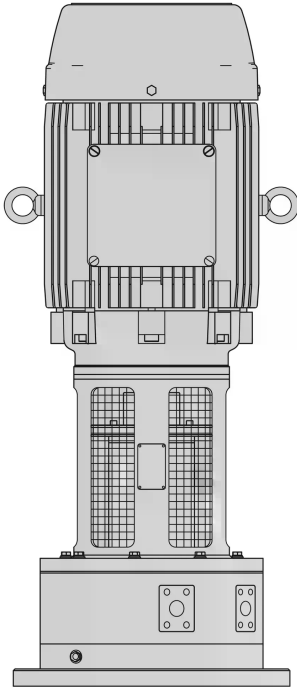
- Single to four stage in series or parallel
- Bearings to meet application requirements
- Noise reduction cover



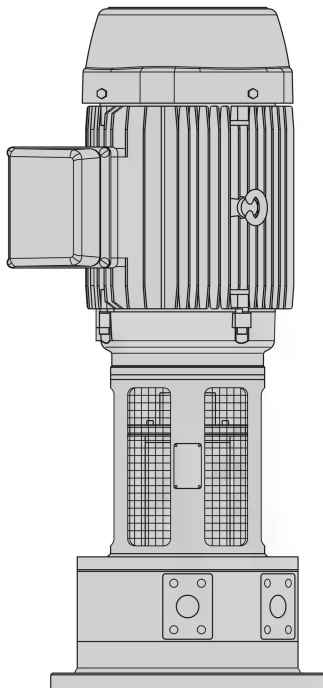
Item	Description
1	Motor
2	Magnetic coupling
3	Bearing assembly
4	Blower housing
5	Impeller
6	Inlet
7	Outlet

RELY ON EXCELLENCE

Product variants

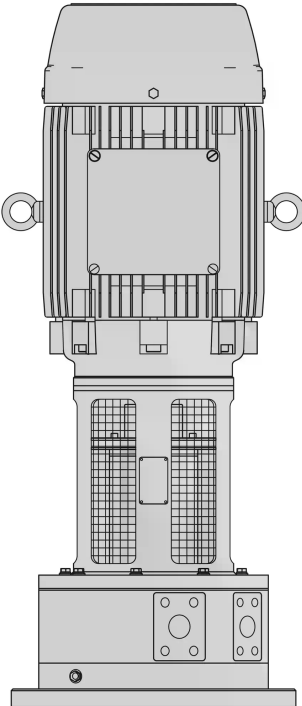


Blower type: Single stage, regenerative
Speed: 1,200 min⁻¹, max. 4,200 min⁻¹
Design pressure:
Vacuum ... 120 bar (1,740 PSI)
Design temperature: 200 °C (392 °F)
Motor size: 5.5 kW ... 15 kW
Diameter: 56 cm (22")
Height: 124,5 cm (49")
Weight: 565 kg (1,245 lb)

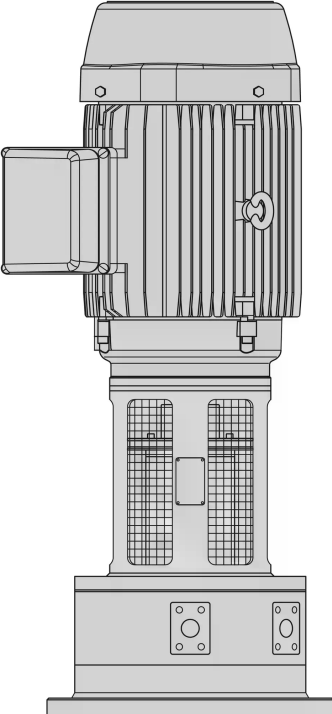


Blower type: Single stage, regenerative
Speed: 1,200 min⁻¹, max. 4,200 min⁻¹
Design pressure:
Vacuum ... 120 bar (1,740 PSI)
Design temperature: 200 °C (392 °F)
Motor size: 5.5 kW ... 15 kW
Diameter: 51 cm (20")
Height: 120 cm (47")
Weight: 510 kg (1,125 lb)

RELY ON EXCELLENCE



Blower type: Single stage, regenerative
Speed: 1,200 min⁻¹, max. 4,200 min⁻¹
Design pressure:
Vacuum to 120 bar (1,740 PSI)
Design temperature: 200 °C (392 °F)
Motor size: 5.5 kW ... 15 kW
Diameter: 41 cm (16")
Height: 112 cm (44")
Weight: 355 kg (785 lb)



Blower type: Single stage, regenerative
Speed: min. 1,200 min⁻¹, max. 4,200 min⁻¹
Design pressure:
Vacuum to 120 bar (1,740 PSI)
Design temperature: 200 °C (392 °F)
Motor size: 5.5 kW ... 15 kW
Diameter: 35,5 cm (14")
Height: 96 cm (38")
Weight: 215 kg (475 lb)

RELY ON EXCELLENCE

Charts

Performance curves for different types of model 285