

RELY ON EXCELLENCE

MagBlower model 284

Blowers



Features

- Hermetically sealed
- No contamination of process
- No process gas to atmosphere
- Always below 85 dBA noise levels
- Low heat generation and high torque transfer magnetic coupling
- Pulsation free gas flow
- Engineered designs available to meet special requirements

Functional description

The Magnetic coupling allows power transfer from the electric motor to the impeller without mechanical contact; eliminating the need for a shaft seal. The bearings suitable for the application support the impeller shaft in the blower housing. The gas enters the blower and the energy put into the gas from the blower impeller, produces flow and a pressure increase as required for the application before exiting the blower outlet.

Notes

Options:

- Horizontal or vertical design
- Centrifugal or regenerative impeller

Advantages

- The MagBlower delivers abundant, reliable, and consistent gas flow, in every situation with no leakage.
- Simple to set-up, easy to operate
- High reliability and availability
- Designed for continuous operation
- Low maintenance costs
- Energy efficient

Operating range

Pressure: Vacuum ... 2 bar (58 PSI)

Temperature:

-40 °C ... +200 °C (-40 °F ... +392 °F)

Head: ... 30 Kpa (4.35 PSI) on air

Flow: 3,600 m³/h (2,119 CFM) on air

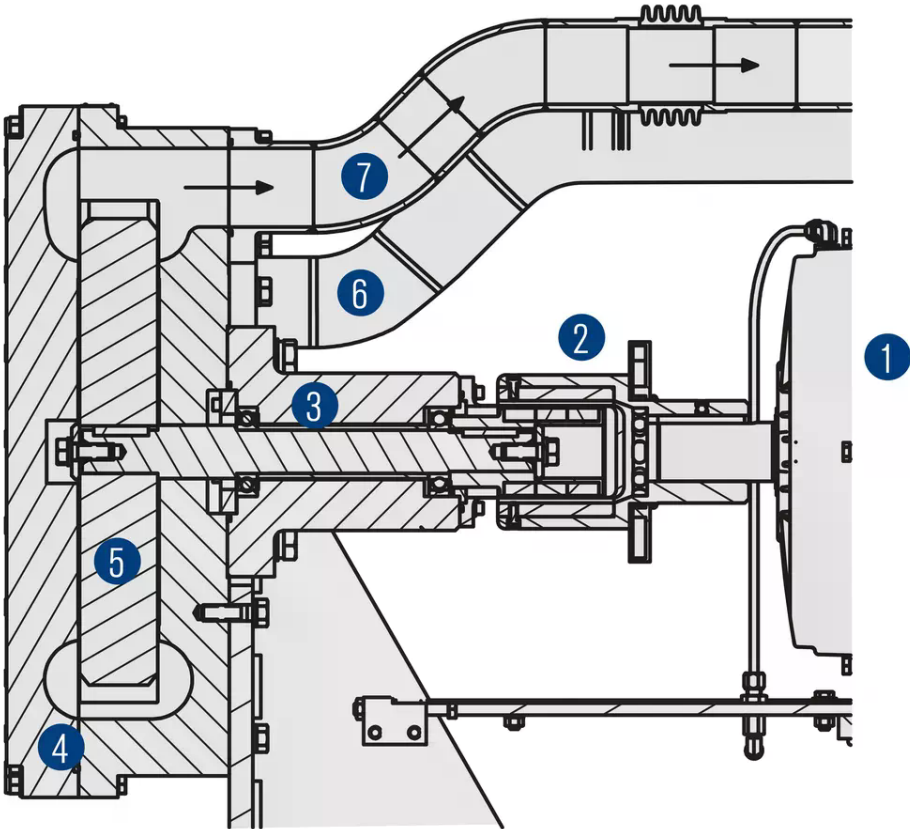
Models outside of these operating ranges are available on request.

Recommended applications

- Oil and gas industry
- Refining technology
- Chemical industry
- Petrochemical industry
- Pharmaceutical industry
- Nuclear applications
- Research
- Manufacturing
- Vapor recovery

RELY ON EXCELLENCE

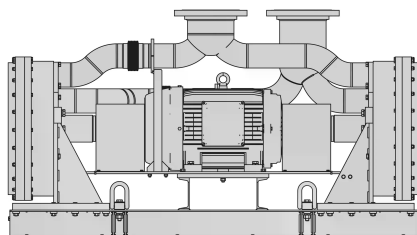
- Single to four stage in series or parallel
- Bearings to meet application requirements
- Noise reduction cover



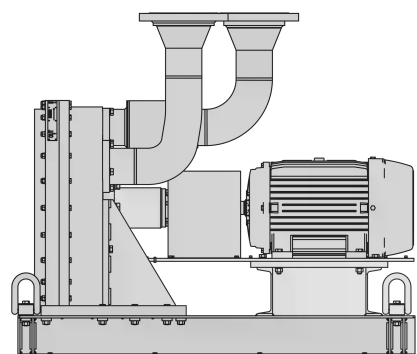
Item	Description
1	Motor
2	Magnetic coupling
3	Bearing assembly
4	Blower housing
5	Impeller
6	Inlet
7	Outlet

RELY ON EXCELLENCE

Product variants



Blower type: Two stage, parallel regenerative
Speed: min. 1,200 min⁻¹, max. 3,600 min⁻¹
Design pressure: Vacuum to 2 bar (30 PSI) gage
Design temperature: 150 °C (300 °F)
Motor size:
575 V, 3 phase, 60 Hz, 37 kW (50 hp)
Size: height 85 cm (33.5"), 107 cm (42") with silencer,
depth 70 cm (27.5"), length 193 cm (76")
Weight: 1,500 kg (3,300 lb)



Blower type: Single stage, regenerative
Speed: min. 1,200 min⁻¹, max. 3,600 min⁻¹
Design pressure: Vacuum to 2 bar (30 PSI) gage
Design temperature: 150 °C (300 °F)
Motor size:
575 V, 3 phase, 60 Hz, 15 kW (20 hp)
Size: height 81 cm (32"), 108 cm (42.5") with silencer,
depth 70 cm (27.5"), length 127 cm (50")
Weight: 796 kg (1,750 lb)

Charts

Performance curves for type 284-0200

Performance curves for type 284-0100