

RELY ON EXCELLENCE

LSA6 Leakage collection reservoir

API 682 4th edition | Seal supply systems | Leakage detection and collection

Features

The EagleBurgmann leakage control systems of the LSA6000 range in accordance with [API Plan 65A](#) consist of a leakage collection tank with integrated orifice and overflow pipe. The level can be monitored with the differential pressure transmitter which is supplied together with a five-way manifold valve.

Functional description

In accordance with API Plan 65A, the LSA6000 leakage control system is used to discharge leakage from single seals. The outboard leakage is collected in an external tank; the leakage volume is monitored (level in the tank).

Notes

Design and production in accordance with EU Pressure Equipment Directive PED 2014/68/EU available.

Design, calculation and production available acc. to ASME VIII, Div. 1.

3rd party inspection, ASME stamp on request.

Advantages

- Seal failure detection
- Safe discarding of excessive seal leakage
- To ensure durability, all components are corrosion resistant.

Standards and approvals

- API 682 / ISO 21049
- API 682 4th ed. Cat. 2/3 - 1CW-FL
- API 682 4th ed. Cat. 1 - 1CW-FX

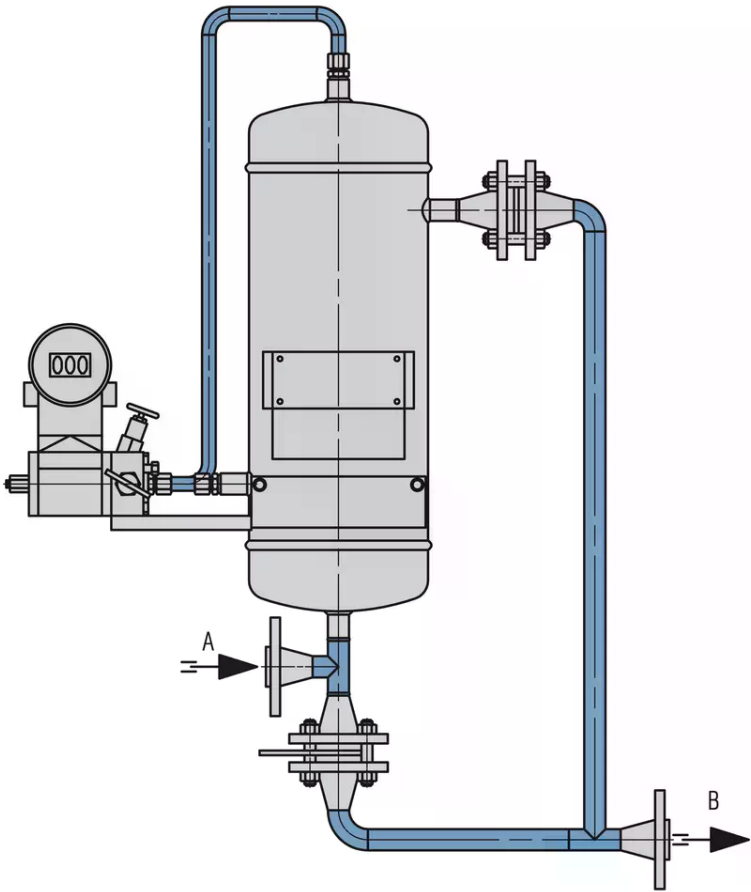
Recommended applications

- Refining technology
- Oil and gas industry
- Petrochemical industry
- Chemical industry
- Power plant technology

Recommended piping plans

[API Plan 65A](#)

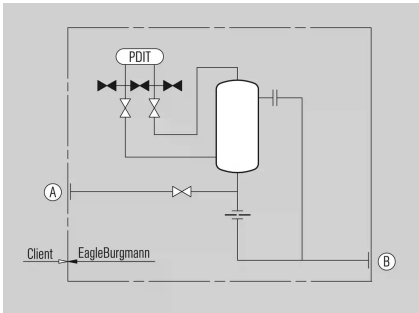
RELY ON EXCELLENCE



LSA6000A4

A From mechanical seal
B To leakage collection system<

Installation, details, options



P&ID for LSA6000A4
Leakage collection system

A From mechanical seal
B To liquid collection system

RELY ON EXCELLENCE

Product variants

Designation	LSA6000A4
Design code	PED 2014/68/EU ASME VIII, Div. 1
Volume of vessel (liters)	4
Allowable pressure ¹⁾	44 bar (638 PSI)
Allowable temperature ¹⁾	-20 °C ... +120 °C (-4 °F ... +248 °F)
Process connections	Flange 3/4", 600 lbs
Metal parts	316/316L

Other versions on request.

1) Design data, permissible working values depend on the actual conditions of service.