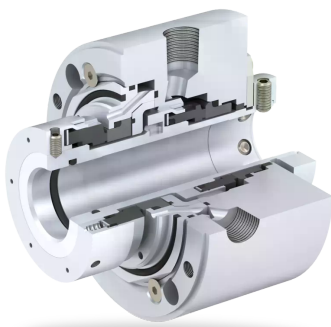


RELY ON EXCELLENCE

H75A4-T

API 682 4th edition | Mechanical seals | Balanced pusher seals



Features

- API 682 Category 2 and 3, Type A, Arrangement 2 and 3 seal
- Dual seal in face-to-back arrangement
- Balanced
- Cartridge unit
- Rotating multiple springs
- Integrated pumping device
- Suitable for pressure reversals
- Replaces the H75VK seal

Advantages

- Universally applicable both for retrofits or original equipment
- Efficient stock keeping due to standardized components
- Extended selection of materials
- Extended field of operation in terms of temperature and pressure
- Optimized torque transmission
- Metal parts also in special materials available

Operating range

Shaft diameter:

$d_1 = 20 \dots 110 \text{ mm}$ (0,79" ... 4,33")

Pressure: $p_1 = \dots 42 \text{ bar}$ (609 PSI)

Temperature:

$t = -40 \text{ °C} \dots +176 \text{ °C}$ (-40 °F ... +349 °F)*

Sliding velocity: $v_g = 23 \text{ m/s}$ (76 ft/s)

Axial movement:

$d < 50 \text{ mm} \pm 1,0 \text{ mm}$

$d \geq 50 \text{ mm} \pm 1,5 \text{ mm}$

* Engineered up to 260 °C (500 °F) with FFKM (K) secondary seals

Materials

Seal rings: Blister resistant carbon, Silicon carbide SSiC (Q1), RBSiC (Q2)

Mating rings:

Silicon carbide SSiC (Q1), RBSiC (Q2)

Secondary seals:

EPDM (E), NBR (P), FKM (V), FFKM (K)

Springs: Hastelloy® C-276 (M5)

Metal parts: CrNiMo steel 316 (G) or equivalent, optional materials on request.

Standards and approvals

- API 682 / ISO 21049
- API 682 4th ed. Cat. 2/3 - 2CW-CW
- API 682 4th ed. Cat. 2/3 - 3CW-FB
- Compliant to TA Luft (German Clean Air Act)

Recommended applications

- Highly volatile hydrocarbons
- Refining technology
- Oil and gas industry
- Petrochemical industry
- Chemical industry
- Power plant technology
- CCUS
- Hydrogen
- Sustainable plastics production
- Alternative fuels production
- Nuclear power technology
- LPG plants
- API 610 / ISO 13709 pumps
- Process pumps

Recommended piping plans

Process side:

[API Plan 01](#)

[API Plan 02](#)

[API Plan 03](#)

[API Plan 11](#)

[API Plan 12](#)

[API Plan 13](#)

[API Plan 14](#)

[API Plan 21](#)

RELY ON EXCELLENCE

[API Plan 22](#)
[API Plan 23](#)
[API Plan 31](#)
[API Plan 32](#)
[API Plan 41](#)

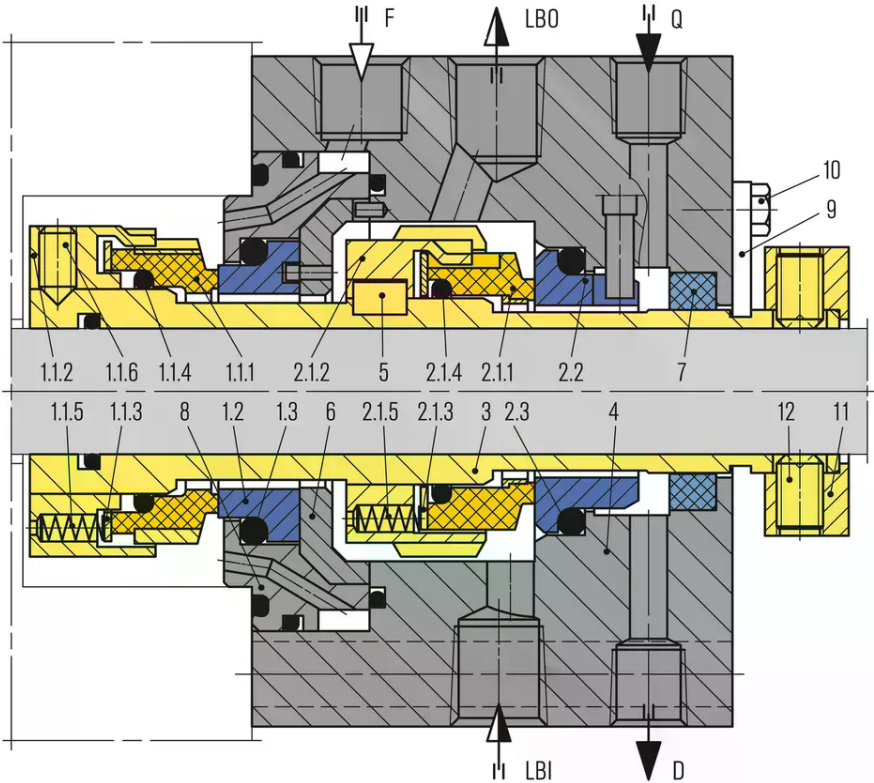
Between seals:

[API Plan 52](#)
[API Plan 53A](#)
[API Plan 53B](#)
[API Plan 53C](#)
[API Plan 54](#)
[API Plan 55](#)

Atmospheric side:

[API Plan 61](#)
[API Plan 62](#)
[API Plan 65A](#)
[API Plan 65B](#)

RELY ON EXCELLENCE



Item	Description
1.1.1, 2.1.1	Seal ring
1.1.2, 2.1.2	Driver
1.1.3, 2.1.3	Thrust ring
1.1.4, 1.3, 2.1.4, 2.3	O-Ring
1.1.5, 2.1.5	Spring
1.1.6, 12	Set screw
1.2, 2.2	Mating ring
3	Seal sleeve
4	Gland plate
5	Key
6	Adapter ring
7	Throttle ring
8	Adapter
9	Setting device
10	Hexagon bolt
11	Set ring

F Flush
 LBO Liquid buffer/barrier OUT
 Q Quench
 LBI Liquid buffer/barrier IN
 D Drain