

RELY ON EXCELLENCE

## GSS6001 Gas supply system

API 682 4th edition product range | Seal supply systems | Gas supply systems



### Features

- Safe operation thanks to incorporated pressure regulator with upstream filter
- System mounted on a plate
- Easy wall or rack mounting

### Functional description

Buffered, gas-lubricated mechanical seals may only be used in conjunction with adequately pressurized gas (e.g. from a closed circular nitrogen pipeline provided by the operator). For Plan 74 systems the barrier gas pressure level ( $p_3$ ) must always be higher than the pressure level ( $p_1$ ) of the sealed product, whatever the operational state of the machine. The minimum pressure overlay level ( $\Delta p$ ) is specified for the individual seal types.

#### Main GSS functions:

- Filtering of the buffer and flushing gas
- Pressure monitoring and regulation
- Flow monitoring

#### Typical tasks for the GSS:

- Barrier/buffer gas supply for dual seals
- Gas supply for tandem seals

### Notes

### Advantages

- Coalescing filter with integrated sight-glass for monitoring liquid level to ensure safe operation even in case of poor gas quality.
- Rigid base frame for easy rack mounting.
- Wide range of flow monitoring to ensure utmost reliability of mechanical seals.

### Standards and approvals

- API 682 / ISO 21049
- API 682 4th ed. Cat. 2/3 - 3NC-FB
- API 682 4th ed. Cat. 2/3 - 3NC-BB
- API 682 4th ed. Cat. 2/3 - 3NC-FF
- API 682 4th ed. Cat. 1 - 3NC-BB

### Recommended applications

- Refining technology
- Oil and gas industry
- Petrochemical industry
- Chemical industry
- Power plant technology

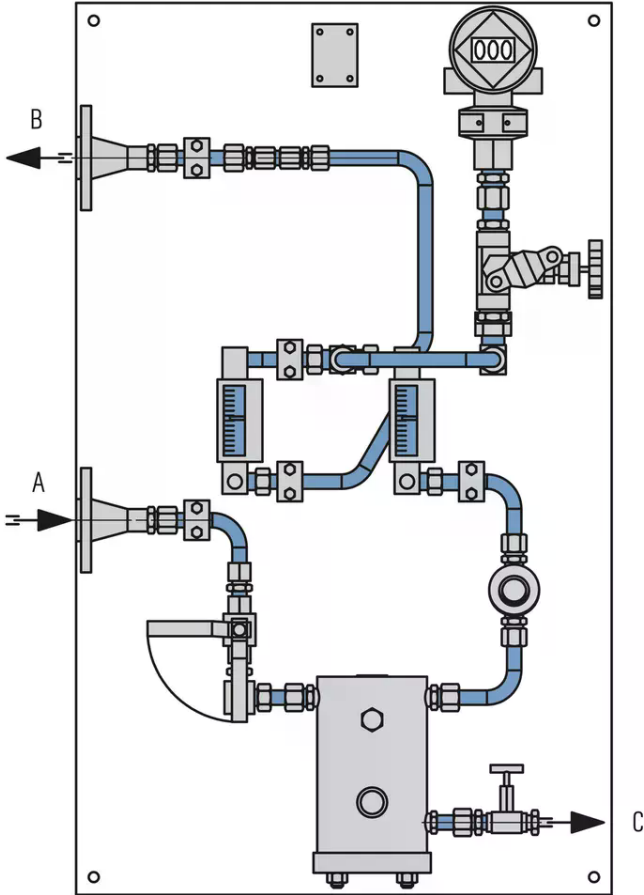
### Recommended piping plans

API Plan 74

## RELY ON EXCELLENCE

Design, calculation and production acc. to ASME VIII, Div. 1.

3rd party inspection and other certificates on request.

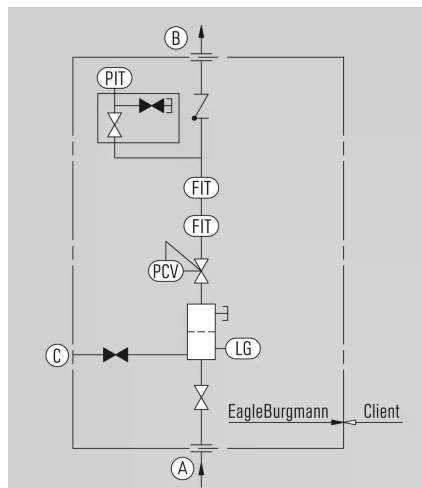


**GSS6001A4**

- A Gas IN
- B Gas OUT
- C Drain

RELY ON EXCELLENCE

## Installation, details, options



P&ID for GSS60001A4  
Gas supply system

A Gas IN  
B Gas OUT  
C Drain

## Product variants

Designation	GSS6001A4M001-D0
API piping plan	Plan 74
Design code	ASME
Allowable pressure <sup>1)</sup>	40 bar (580 PSI)
Allowable temperature <sup>1)</sup>	-20 °C ... +50 °C (-4 °F ... +122 °F)
Process connections	Flange 1/2", 600 lbs
Metal parts	316/316L

Other versions on request.

1) Design data, permissible working values depend on the actual conditions of service.