

RELY ON EXCELLENCE

## MagBlower model 283

### Blowers



#### Merkmale

- Hermetically sealed
- No contamination of process
- No process gas to atmosphere
- Always below 85 dBA noise levels
- Low heat generation and high torque transfer magnetic coupling
- Pulsation free gas flow
- Engineered designs available to meet special requirements

#### Funktionsbeschreibung

The Magnetic coupling allows power transfer from the electric motor to the impeller without mechanical contact; eliminating the need for a shaft seal. The bearings suitable for the application support the impeller shaft in the blower housing. The gas enters the blower and the energy put into the gas from the blower impeller, produces flow and a pressure increase as required for the application before exiting the blower outlet.

#### Hinweis

Options:

- Horizontal or vertical design
- Centrifugal or regenerative impeller

#### Vorteile

- The MagBlower delivers abundant, reliable, and consistent gas flow, in every situation with no leakage.
- Simple to set-up, easy to operate
- High reliability and availability
- Designed for continuous operation
- Low maintenance costs
- Energy efficient

#### Einsatzbereich

Pressure: Vacuum ... 4 bar (30 PSI)

Temperature:

-40 °C ... +200 °C (-40 °F ... +392 °F)

Head: ... 260 Kpa (38 PSI) on air

Flow: 475 m<sup>3</sup>/h (280 CFM) on air

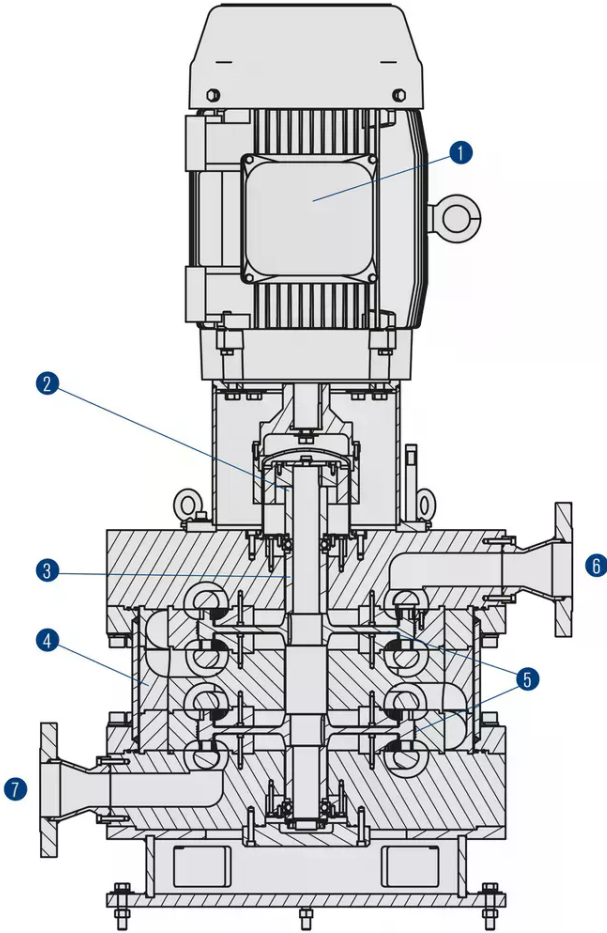
Models outside of these operating ranges are available on request.

#### Empfohlene Anwendungen

- Oil and gas industry
- Refining technology
- Chemical industry
- Petrochemical industry
- Pharmaceutical industry
- Nuclear applications
- Research
- Manufacturing
- Vapor recovery

## RELY ON EXCELLENCE

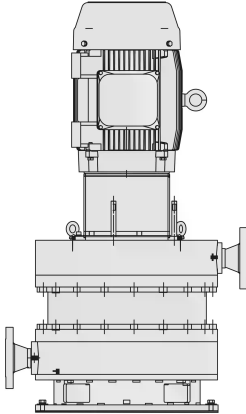
- Single to four stage in series or parallel
- Bearings to meet application requirements
- Noise reduction cover



Item	Description
1	Motor
2	Magnetic coupling
3	Bearing assembly
4	Blower housing
5	Impeller
6	Inlet
7	Outlet

RELY ON EXCELLENCE

## Produktvarianten



Blower type: Four-stage, regenerative aerofoil  
Speed: min. 3,600 min<sup>-1</sup>, max. 6,000 min<sup>-1</sup>  
Design pressure: Vacuum to 4 barg (58 PSIG)  
Design temperature: 150 °C (300 °F)  
Motor size:  
230/460 V, 3 phase, 60 Hz, 56 kW (75 hp)  
Size: height 171 cm (67.4"), diameter 70 cm (27.5"),  
inlet-to-outlet distance 101 cm (39.7")  
Weight: approx. 1,800 kg (4,000 lb)

## Charts

Performance curves for type 283-0100