

RELY ON EXCELLENCE

## MagBlower model 212

### Blowers



#### Merkmale

- Designed for insertion into a pressurized vessel to circulate gas.
- Hermetically sealed
- No contamination of process
- No process gas to atmosphere
- Always below 85 dBA noise levels
- Low heat generation and high torque transfer magnetic coupling
- Pulsation free gas flow
- Engineered designs available to meet special requirements

#### Funktionsbeschreibung

The Magnetic coupling allows power transfer from the electric motor to the impeller without mechanical contact; eliminating the need for a shaft seal. The bearings suitable for the application support the impeller shaft in the blower housing. The gas enters the blower and the energy put into the gas from the blower impeller, produces flow and a pressure increase as required for the application before exiting the blower outlet.

#### Hinweis

Options:

#### Vorteile

- The MagBlower delivers abundant, reliable, and consistent gas flow, in every situation with no leakage.
- Simple to set-up, easy to operate
- High reliability and availability
- Designed for continuous operation
- Low maintenance costs
- Energy efficient

#### Einsatzbereich

Pressure: Vacuum ... 35 bar (508 PSI)

Temperature:

-40 °C ... +200 °C (-40 °F ... +392 °F)

Head: ... 5 Kpa (0.73 PSI) on air

Flow: 300 m<sup>3</sup>/h (176 CFM) on air

Models outside of these operating ranges are available on request.

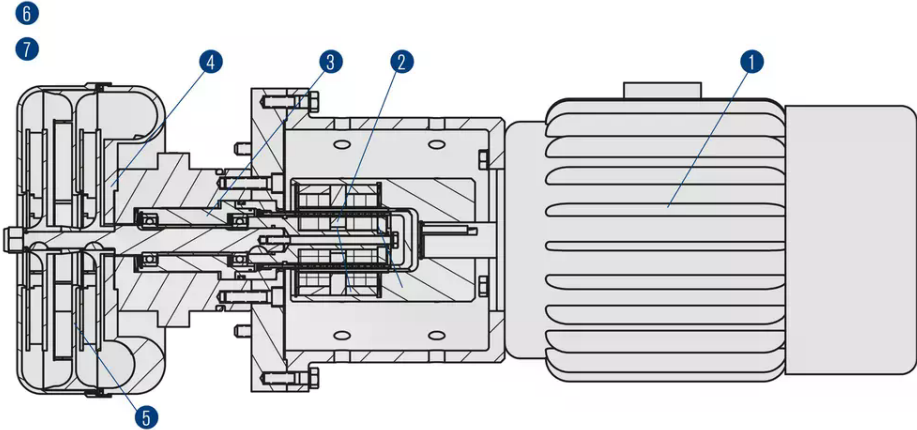
#### Empfohlene Anwendungen

- Oil and gas industry
- Refining technology
- Chemical industry
- Petrochemical industry
- Pharmaceutical industry
- Nuclear applications
- Research
- Manufacturing
- Vapor recovery
- Hyperbaric dive chambers

## RELY ON EXCELLENCE

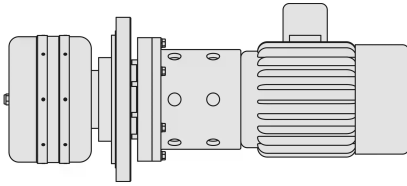
- Horizontal or vertical design
- Centrifugal or regenerative impeller
- Single to four stage in series or parallel
- Bearings to meet application requirements
- Noise reduction cover

Item	Description
1	Motor
2	Magnetic coupling
3	Bearing assembly
4	Blower housing
5	Impeller
6	Inlet
7	Outlet

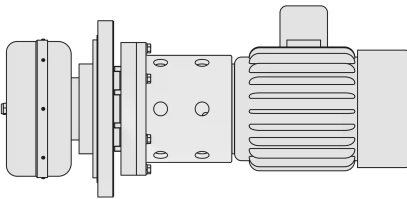


RELY ON EXCELLENCE

## Produktvarianten



Blower type: Three stage, centrifugal (insert only)  
Speed: min. 750 min<sup>-1</sup>, max. 6100 min<sup>-1</sup>  
Design pressure: Atmospheric to 35 barg (508 PSIG)  
Design temperature: 80 °C (176 °F)  
Motor size:  
230/460 V, 3 phase, 3.7 kW (5 hp)  
Size: height 80 cm (31.5"), diameter 25 cm (10"),  
mounting flange dia. 33 cm (13")  
Weight: 114 kg (250 lb)



Blower type: Two stage, centrifugal (insert only)  
Speed: min. 750 min<sup>-1</sup>, max. 7,000 min<sup>-1</sup>  
Design pressure: Atmospheric to 35 barg (508 PSIG)  
Design temperature: 80°C (176°F)  
Motor size:  
230/460V, 3 phase, 50/60 Hz, 2.2 kW (3 hp)  
Size: diameter 25 cm (10"), mounting flange dia. 33  
cm (13"), length 76 cm (30")  
Weight: 103 kg (226 lb)

## Charts

Performance curves for type 212-0400

Performance curves for type 212-0100